









Hoisting Attachment for High Capacity

Hoisting attachments for DPU/DPUH/LU/LMU/SW1 load cell series.
You can choose the suitable one by your test style and object.

Specification			
Models	EB-500N-M6	EB-500N-M8	EN-500N
Feature	To hang rope or a hook		
Capacity	500N	500N	500N
Weight	Approx. 18g	Approx. 39g	Approx. 11g
Nut Type	M6 Rod end type	M8 Rod end type	M5 Eye nut type
Mountable Load cell*1	DPU-5N~500N SW1-100N/200N	LU Series SW1-500N	LMU Series
Photos			 *2
Model	EB-5000N	EB-20kN	RE-20kN
Feature	To hang rope or a hook		To let a shaft through
Capacity	5000N	20kN	20kN
Weight	Approx. 137g	Approx. 1100g	Approx. 300g
Nut Type	M12 Rod end type	M18 Rod end type	M18 Rod end type
Mountable Load cell*1	DPUH-1000N/2000N/5000N	DPUH-10kN, DPU-20kN	DPUH-10kN, DPUH-20kN
Photos			

*1 Contact us for the custom made conversion adapter to mount these attachments to other load cells.

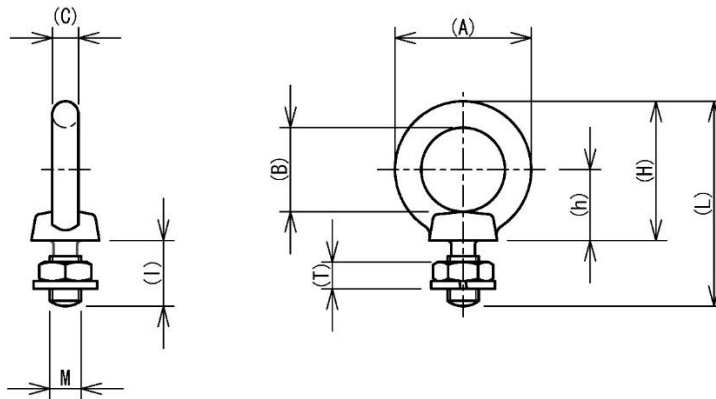
*2 A positioning nut is attached as well as other hoisting attachments.

Mounting Images	
<div style="display: flex; flex-direction: column; align-items: center;"> <div style="margin-bottom: 10px;">EB-500N-M6</div> <div style="margin-bottom: 10px;">DPU Series*</div> <div>Standard attachment A-1(S-1) *1</div> </div> 	<div style="display: flex; flex-direction: column; align-items: center;"> <div style="margin-bottom: 10px;">DPUH series</div> <div>EB-5000N</div> </div> 
<p>The sensor can be pulled easily with rope or a hook. With EB-5000N, a rope or a hook can be attached to the sensor. To install the sensor to a shaft, EN-20kN is more suitable.</p>	

* A-1 (S-1) is included only when purchasing ZTS/ZTA-DPUH series.

[Dimensions (Unit: mm)]

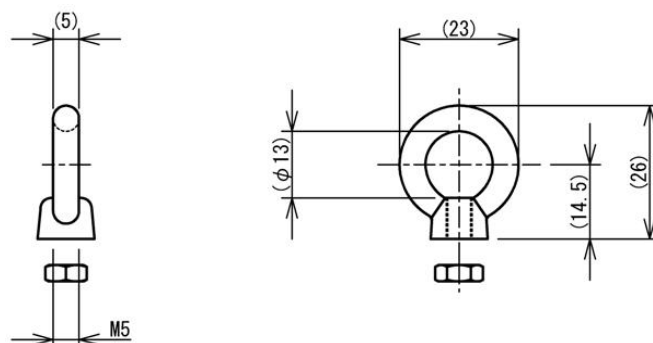
EB-500N-M6/ EB-500N-M8/EB-5000N



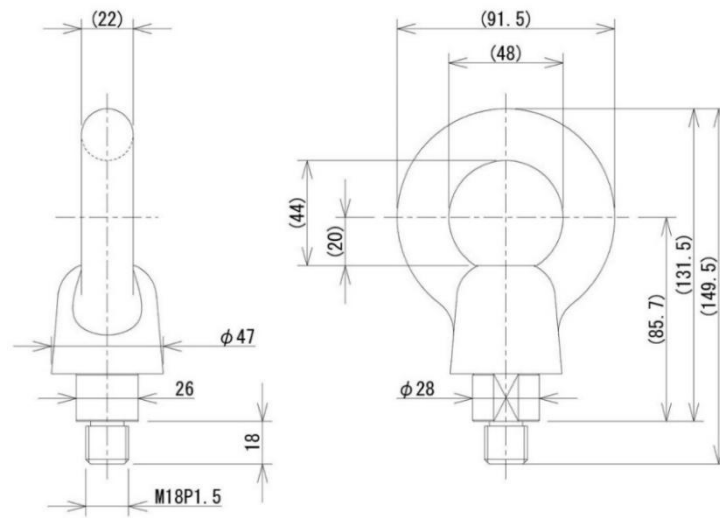
(Unit: mm)

Model	A	B	C	H	h	I	L	M	T
EB-500N-M6	26	16	5	26.5	13.5	12.5	39	6	5.1
EB-500N-M8	32.6	20	6.3	33.3	17	15	48.3	8	7
EB-5000N	50	30	10	51	26	22	73	12	10

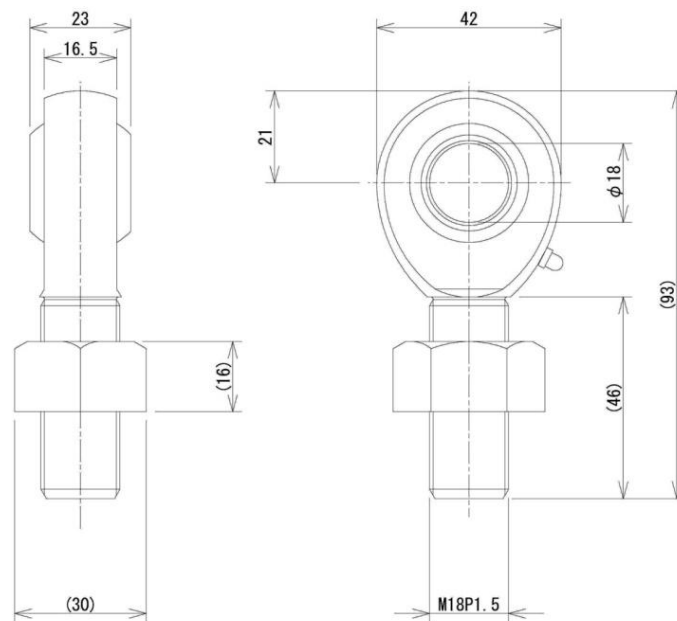
EN-500N



EB-20kN



RE-20kN



[Cautions]

- The contents may be changed without notice in advance.
- These products are designed for force measurement only. Do not use it for other purpose.
- Some sample could not be hanged depending on their material or shape.
- Do not copy and use the contents without authority.

SHRADDHA IMPEX
Authorized Distributor

Email: shraddhaimpex@gmail.com / sales@shraddhaimpex.net
Web: www.shraddhaimpex.net
Contact: +919819530352 / +918591279918

