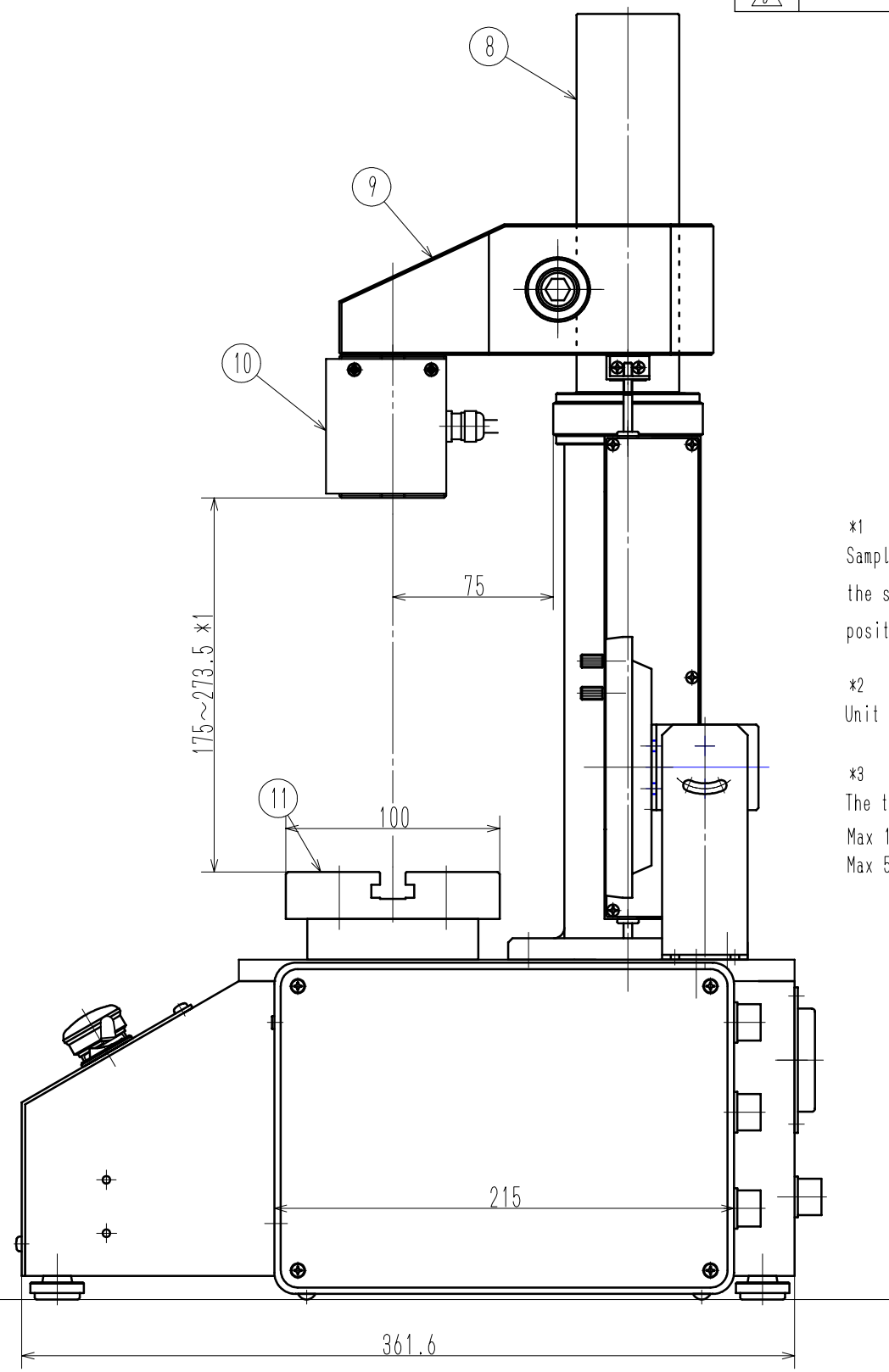
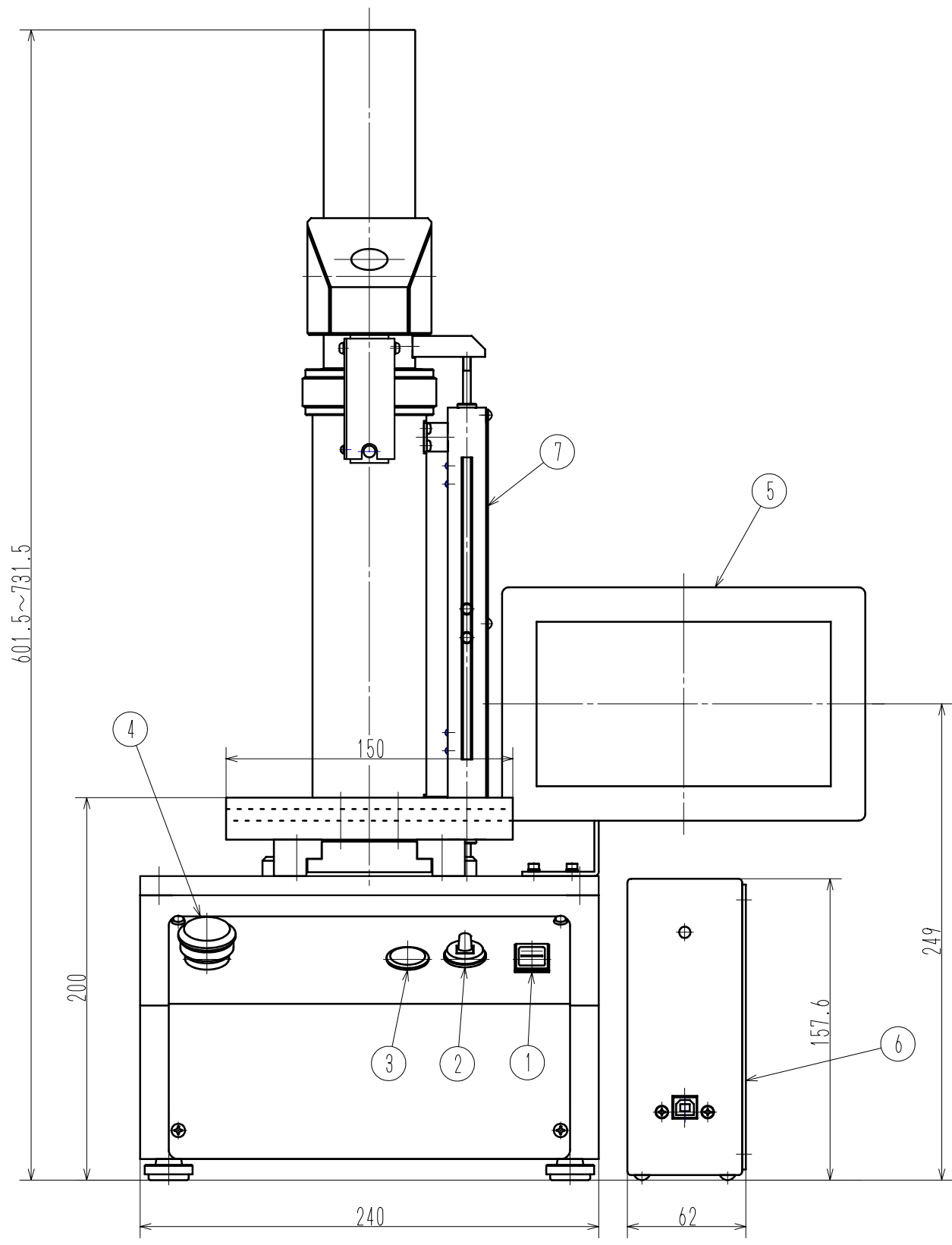


変更内容	Contents of Change	変更日	Date
△			
△			
△			

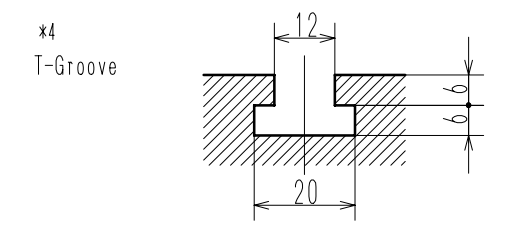


	NAME
①	Power Switch
②	Up/Down Switch
③	HI Switch
④	Emergency Stop Switch
⑤	Touch display
⑥	Measure Amp Unit SL-6003A *2
⑦	Upper-Lower Limit Switch
⑧	UP/DOWN Axis
⑨	Loadcell Head
⑩	Loadcell *3
⑪	Mounting Base *4

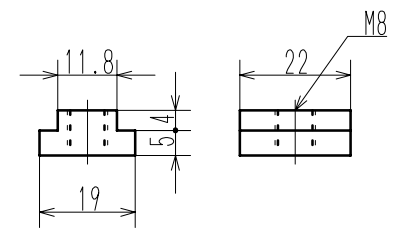
*1
Sample Mounting Span is the distance between the load cell and the surface plate when Loadcell Head is fixed at the highest position of Axis.

*2
Unit SL-6003 may replace Type B with a width of 88 mm.

*3
The thread diameter of the load cell depends on the UTM model.
Max 1kN or more : M12P1.75 Internal thread
Max 500N or less : M6P1 External thread



Two T-Nuts are included.



		名称	Model SVF-201F Universal Testing Machine
株式会社 伊田製作所 IMADA SEISAKUSHO Co., Ltd.		図番	MSA0292
製作日	2021年2月23日	材料	***
尺度	1/3	仕上	***
Scale	Unit mm	Finish	***
		Outline	