

# Universal Testing Machine



# SV-55CB

## ■ Characteristics

1. Compared to combinations of Digital Force Gauge and Stand, this testing machine is inexpensive, and it can be measured with simple operation.
  - However, it has the functions according to the UTM such as overload protection and software.
2. This testing machine is about 30% smaller and lighter than the previous model.
  - So, you do not have to worry about that place.
3. It can prepare loadcell from 20N to 500N. Therefore, you can choose the one suitable for what you want to measure.
  - In addition, if the 2 range specification type, it will be expanded the measurement range.

**Low cost  
&  
Small size  
However,  
Easy to use**

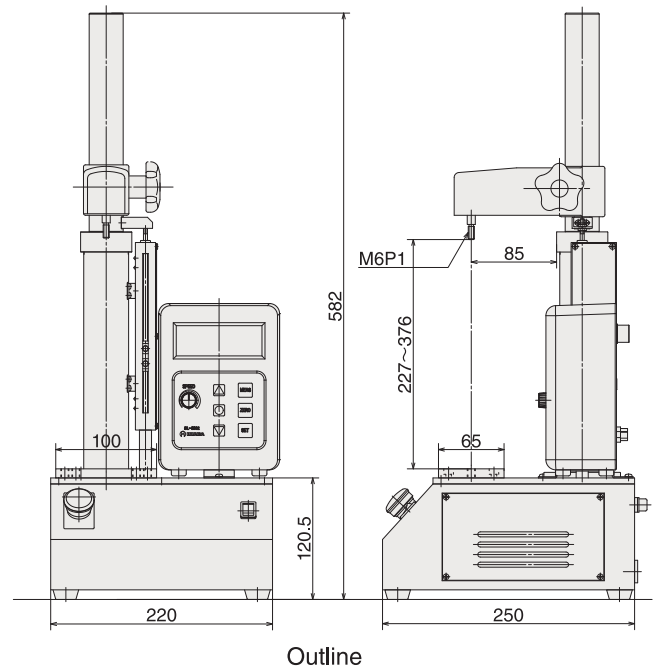


## Model SV-55CB Standard Specifications [Table 1]

Model	SV-55CB-□ (※1)
Maximum Load	500N
Load Display	[Specifications of Load Range] / [Combination of Load Range According to the Model] Reference
Load Precision	JIS 1 class (Indication value ±1% range)
Drive Type	DC Brushless Motor
Speed Range	15~400mm/min
Stroke	130mm
Sample Mounting Span	227~378mm
Displacement to Column	85mm
Table Size	100×65mm (4 point-M8)
Safety Device	Optional Setting Upper and Lower Limit
	Overload Prevention Function
Convenient Function	Peak Hold Function
	Forwarding Function
	Auto Start Point Return Function
	Judgment Function
Output	USB (For Measure software) / For Printer (※2)
Power Supply	AC100V~240V 3A
Weight	Approx 12kg
Size	W220×D250×H582mm (※3)

(※1) The model symbol is put in □. Refer to [Combination of Load Range According to the Model]

(※2) Digimatic printer output can be installed with additional option (※3) The listed 'height' is measured with lower condition of 'UP/DOWN axis'



Outline

## Combination of Load Range According to the Model [Table 2]

Model	Usable Range	Setting Load Range						
		500N	200N	100N	50N	20N	10N	5N
SV-55CB-50R1	100N ~ 500N	●	—	—	—	—	—	—
SV-55CB-50R2	20N ~ 500N	●	—	●	—	—	—	—
SV-55CB-20R1	40N ~ 200N	—	●	—	—	—	—	—
SV-55CB-20R2	10N ~ 200N	—	●	—	●	—	—	—
SV-55CB-5R1	10N ~ 50N	—	—	—	●	—	—	—
SV-55CB-5R2	2N ~ 50N	—	—	—	●	—	●	—
SV-55CB-2R1	4N ~ 20N	—	—	—	—	●	—	—
SV-55CB-2R2	1N ~ 20N	—	—	—	—	●	—	●

## Specifications of Load Range [Table 3]

Load Range	Maximum Load Display	Resolution
500N	500.0N	0.1N
200N	200.0N	
100N	99.99N	
50N	50.00N	0.01N
20N	20.00N	
10N	9.999N	0.001N
5N	5.000N	

※The usable range is recommended at 20~100% of each setting load range.

## Example of use

- Peeling tests of the adhesion and the heat seal.
- Tensile test of crimp terminal.
- Various kinds of test such as foods or medical supplies.

## Additional Options

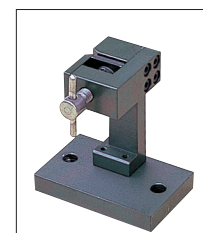
- Long Axis /150mm longer axis than the standard.
- Special Speed type (5~120mm/min)
- Printer Output (for Digimatic Printer) (※2)
- Date Processing Software 'Facirec'

● Product structure, appearance, specification etc. It is subject to change without prior notice for improvement.  
● For details of this catalog, please contact us.

## Examples of Jigs



Film chuck  
GC-2-2 (Upper)



Film chuck  
GT-71



Pantograph chuck  
GC-90AT

※All jigs are sold separately.  
Please select it according to that your test.

Manufacturer



IMADA SEISAKUSHO Co.,LTD

〒441-8058 91-1 Hashira 6 bancho, Toyohashi, Aichi Japan  
PHONE. +81 532 45 8851  
FAX. +81 532 46 6231  
E-mail: info@imada-ss.co.jp  
<http://imada-ss.co.jp>

Agency



GALA NO.122, KEYTUO INDUSTRIAL ESTATE,  
KONDIVITA VILLAGE ROAD,  
M.I.D.C, ANDHERI (EAST)  
MUMBAI : 400059  
Phone: 022-49711705 / 022-49711719.  
Mobile: +91-9892404060 / +91-9004104401  
Website: [www.shraddhaimpex.net](http://www.shraddhaimpex.net)