

IMADA-SS UNIVERSAL TESTING MACHINE

SDT-504F

This is the tensile compression testing machine. It has the maximum load capacity as the desk model with single column type.

* Design, appearance and specifications may be changed for modifications or improvements without any prior notice.

Manufacturer



91-1 Hashira 6 bancho, Toyohashi,
Aichi Japan, 441-8058
PHONE.+81 532 45 8851
FAX. +81 532 46 6231
E-mail: info@imada-ss.co.jp
<http://www.imada-ss.co.jp>

Agency



GALA NO.122, KEYTUA INDUSTRIAL ESTATE,
KONDIVITA VILLAGE ROAD,
M.I.D.C, ANDHERI (EAST)
MUMBAI : 400059
Phone: 022-49711705 / 022-49711719.
Mobile: +91-9892404060 /+91-9004104401
Website: www.shraddhaimpex.net

CAT-SDT-204F_2202E

IMADA-SS UNIVERSAL TESTING MACHINE

SDT-504F

It is tension and compression testing machine with the maximum load capacity as the desk model with single column.

Characteristics

- This is suitable for the long stroke tests.
- There has two types of stroke specifications.

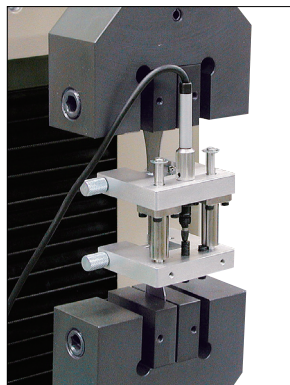
Usage example

- Various material tests of the middle load.
- The evaluation tests of the small machine parts.

Accessories / Option

- **Output of ANALOG**
Option to output load and displacement values at 10V/FS for connection to analog equipment.
- **Software**
- **Extensometer (gauge length unit) Model GTD-50**
It is clipped to test piece such as metal or plastic, in order to measure amount of elongation precisely. The elongation is displayed by switching on the displacement display.

Model	GTD-50	
Gauge mark	50mm	
Max. elongation	10mm	
Resolution	0.001mm	
Max. sample size	Plate	13mm
	Pipe	φ15mm
weight	Approx. 400g	



Touch type operation panel

Accessories / Option

Digital printer DP-1VA

(Option)

※To use this, it is necessary to install the 'Printer output'.



Mitutoyo	
DP-1VA LOGGER	
* MODE 1 *	
DATE	2021/12/ 1
TIME	8:24
* LOG #	0
* LOG STOP	8.3 N
2	31.0 N
3	25.4 N
4	42.3 N

Model	DP-1VA
Printing style	Thermal line dot
Communication	Digimatic output terminal
Paper	No.09EAA082(58X)
Power supply	AC100V (DC Adapter)
Weight	Approx. 390g
Size	W94×D201×H75mm
Accessories	DC Adapter/Paper 1role/Cable C-201

Transformer

(Option)

※For overseas use, it is necessary to transform the local voltage to 100V.



Model	Input	Output	Max. current	weight
CD120-10S	115~120V	100V	10A	2.7kg
CD220-10S2	220V			
CD240-10S2	230~240V			

Protection cover

(Option)

The whole of the moving part is covered. When a window is not closed, there is the safety device which cannot perform movement of the testing machine.



Standard specifications

Model (※1)	SDT-504FS-□	SDT-504FL-□
Maximum load	5kN	
Minimum Unit	[Combination of Load Range according to the model]	
Load Display	[Specifications of Load Range] Reference	
Load Precision	JIS 1 class (Indication value ±1% range)	
Displacement Minimum Unit	0.01mm	
Drive type	AC Servo Motor	
Speed Range	0.1~500mm/min	
Distance from the Table to Loadcell (※2)	Max. 300mm	Max. 580mm
Distance of Sample to Column	80mm	
Table Size	150×100mm (With T-groove)	
Safety Device	Optional setting Upper and Lower Limit	
	Over-load Prevention function	
Basic Function	Memory function of the test conditions	
	Peak Hold function	
	Cycle mode function	
	Detect function of Break Point	
	Detect function of Start Point	
	Auto Feed function	
	Auto Start Point Return function	
	Judgment function	
Output (※3)	USB	
Power supply	AC100V 7A	
Weight	Approx. 67kg	Approx. 74kg
Size	W460×D480×H829mm	W460×D480×H1109mm

(※1) The model symbol is put in □. Refer to [Combination of Load Range according to the model].

(※2) An effective stroke is decided by selection of attachments.

(※3) Analog output and Printer output can be installed with option.

Combination of Load Range according to the model

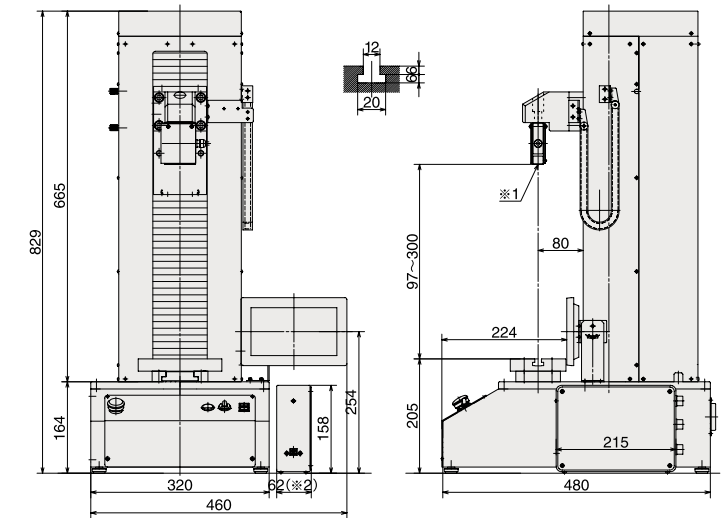
Model	Usable Range	Setting Load Range		
		5kN	1kN	200N
SDT-504F□-R1	1kN ~ 5kN	●	—	—
SDT-504F□-R2	200N ~ 5kN	●	●	—
SDT-504F□-R3	40N ~ 5kN	●	●	●

Specifications of Load Range

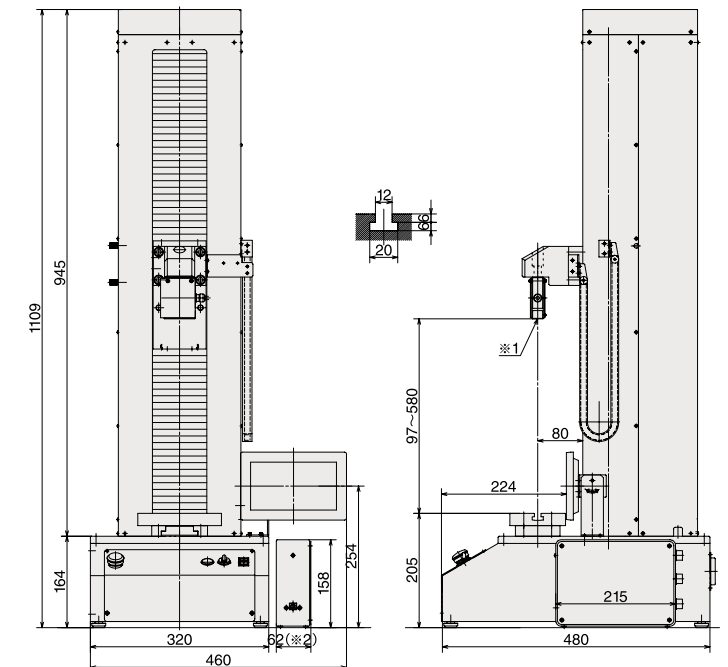
Load Range	Maximum Load Display	Minimum Unit
5kN	5000N	1N
1kN	1000.0N	0.1N
200N	200.0N	

※The usable range is recommended at 20~100% of each setting Load Range.

※It is possible as an option to add Load Range other than the above listed.



Model SDT-504FS



Model SDT-504FL

(※1) Mounting screw size of the loadcell depend on the maximum load.
Under 500N: M6P1 Male / 1kN or more: M12P1.75 Female.

(※2) For options and custom orders, Model SL-6003 measurement amplifier is 'Type B' with the width of 88mm.