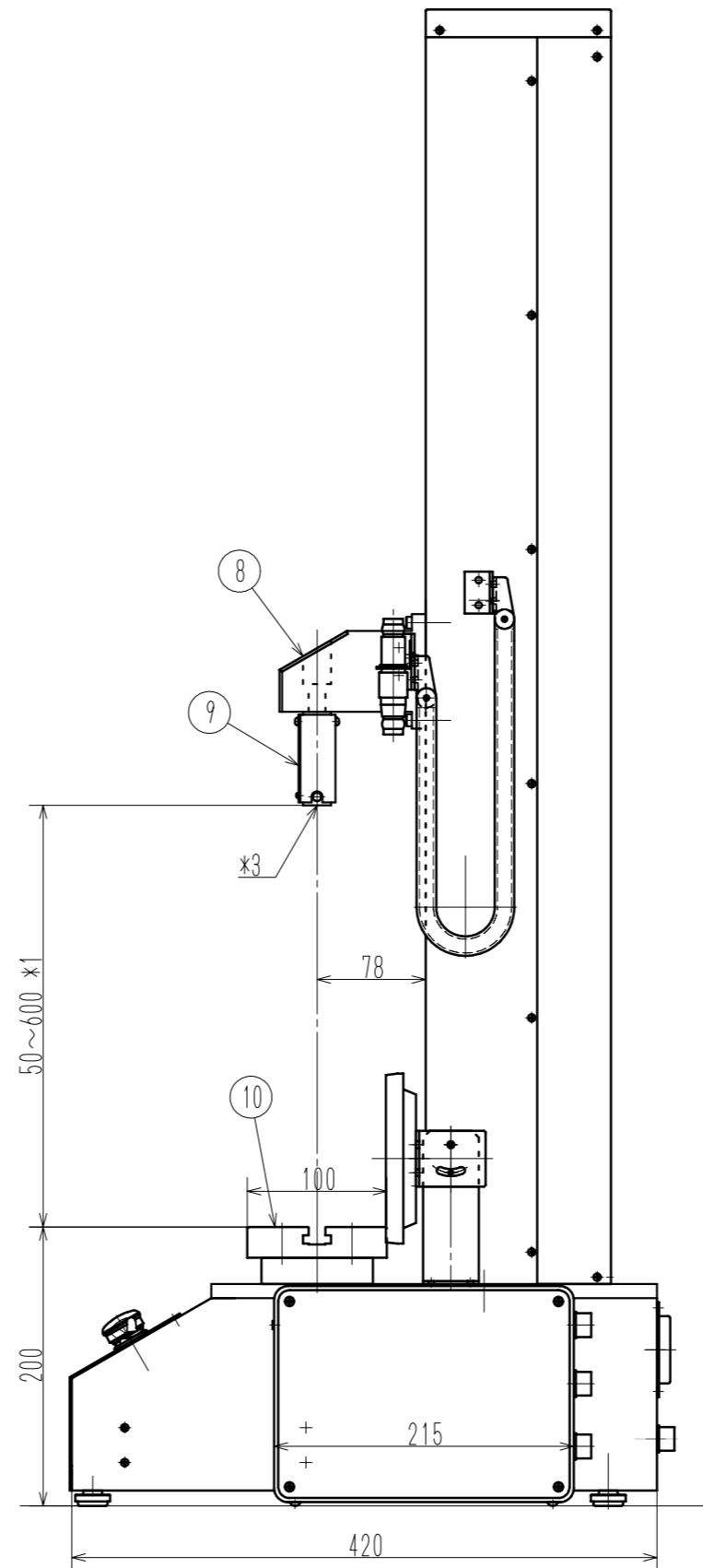
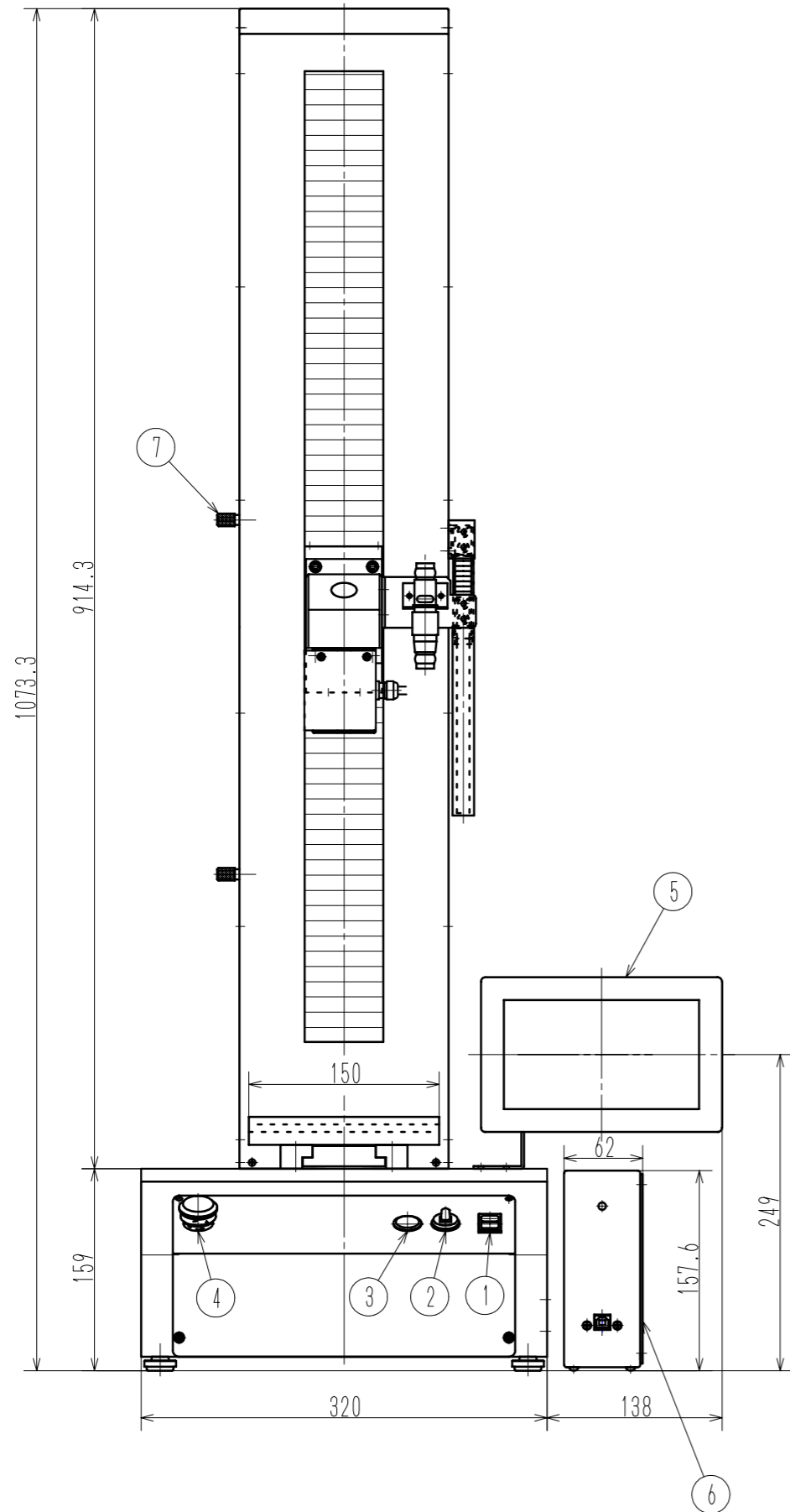


	変更内容 Contents of Change	変更日 Date
△1		
△2		
△3		



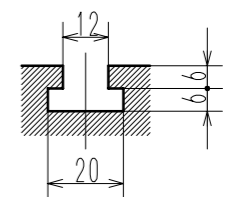
	N A M E
①	Power Switch
②	Up/Down Switch
③	HI Switch
④	Emergency Stop Switch
⑤	Touch display
⑥	Measure Amp Unit SL-6003A *2
⑦	Upper-Lower Limit Switch
⑧	Loadcell Head
⑨	Loadcell *3
⑩	Mounting Base *4
⑪	

\*1  
An effective stroke is decided by selection of an attachment.

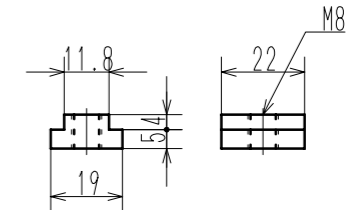
\*2  
Unit SL-6003 may replace Type B with a width of 88 mm.

\*3  
The thread diameter of the load cell depends on the UTM model.  
Max 1kN or more : M12P1.75 Internal thread  
Max 500N or less : M6P1 External thread

\*4  
T-Groove



Two T-Nuts are included.



		名称 Name	Model SDT-204FM(st600) Universal Testing Machine
		図番 Drawig No.	MSA0294
製作日 Date	2021年2月11日	材料 Material	-
尺度 Scale	1/5	仕上 Finish	-
単位 Unit	mm	処理 Treatment	-
		Outline	