

Small Type Manual Test Stand KV-50N

Easy to carry or store due to its lightweight and compact design
Allows fine movement of force gauge which enables precise testing




KV-50N

Feature 1	Feature 2	Feature 3
Easy to carry	Fine Movement	Various options for various testing applications
Easy to carry or store with force gauge mounted due to its lightweight (approx.2kg).	Allows fine movement of a force gauge's position (1.0mm/1 turn).	Length scale option and custom made of table and stroke are available to meet your measurement needs.

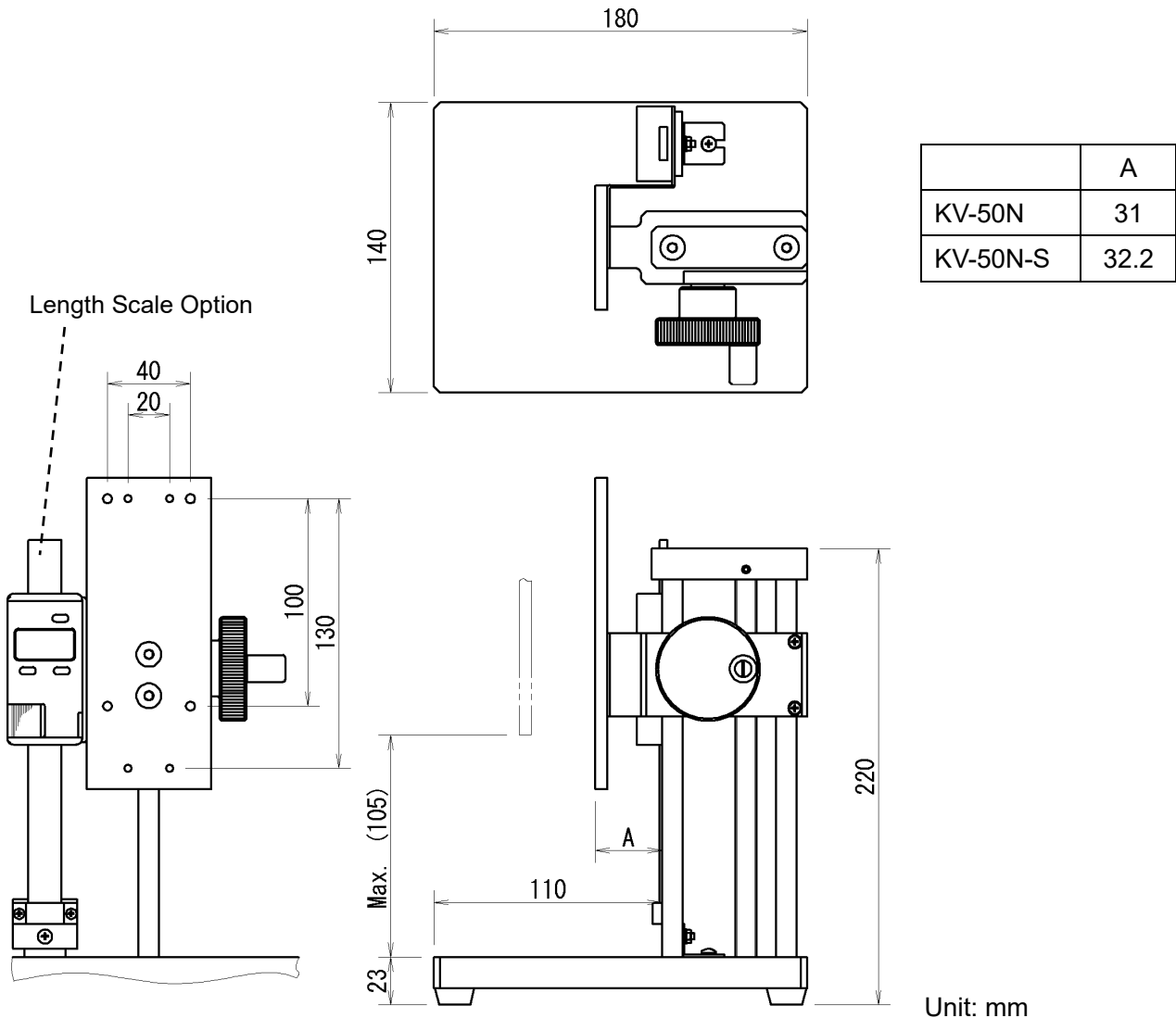
Specifications	
Capacity	50N
Loading Method	Rack and pinion
Travel Rate	1.0mm/1 turn
Max. Sample Height	Approx. 63mm
Weight	Approx. 2kg
Dimensions	See [Dimensions]
Available Options	-S: Length scale (the min unit: 0.01mm)

* The Max. Sample Height refers to the distance between the test stand table and the tip of force gauge (1000N or less of ZT series) measuring shaft when the head is at the top.

Custom made options	
Sample position adjusting table	Put the sample to the table to adjust its position (adjustable height: 28mm)
Sample fixing fixture	Fix the sample to prevent moving (the max. sample size: 50x50mm)
Enlarge the table	Enlarge the table (the max. size: 200x200mm)
Extend the stroke	Extend the 100mm stroke (the capacity will be reduced)
Stainless material	Shafts and body are made from stainless steel (SUS304/SUS440C) for food test
Motorized type	Motorized Travels by electronic motor (contact us for details)

Mountable Force Gauges for KV-50N		
DST/DSV series	ZTS/ZTA series	FB/PS/PSM series
Digital force gauge with excellent cost performance capable to manage data with PC.	Digital force gauge with high precision, featuring high sampling rate and a variety of useful functions.	Mechanical force gauge for easy handling.
		

[Dimensions]



[Cautions]

- Information in this document is subject to change without prior notice.
- This document is product descriptions and handling precautions, and do not guarantee various characteristics or safety.
- This product is designed for force measurement purpose only.
- Do not copy and use this content without authorization.
- A force gauge (sold separately) is required to use this product.
- Do not use this product in the environments including fierce temperature changes, high temperature, high humidity, near water, dusty place

SHRADDHA IMPEX
Authorized Distributor

Email: shraddhaimpex@gmail.com / sales@shraddhaimpex.net

Web: www.shraddhaimpex.net

Contact: +918356968200/ +919819530352/ +918591279918