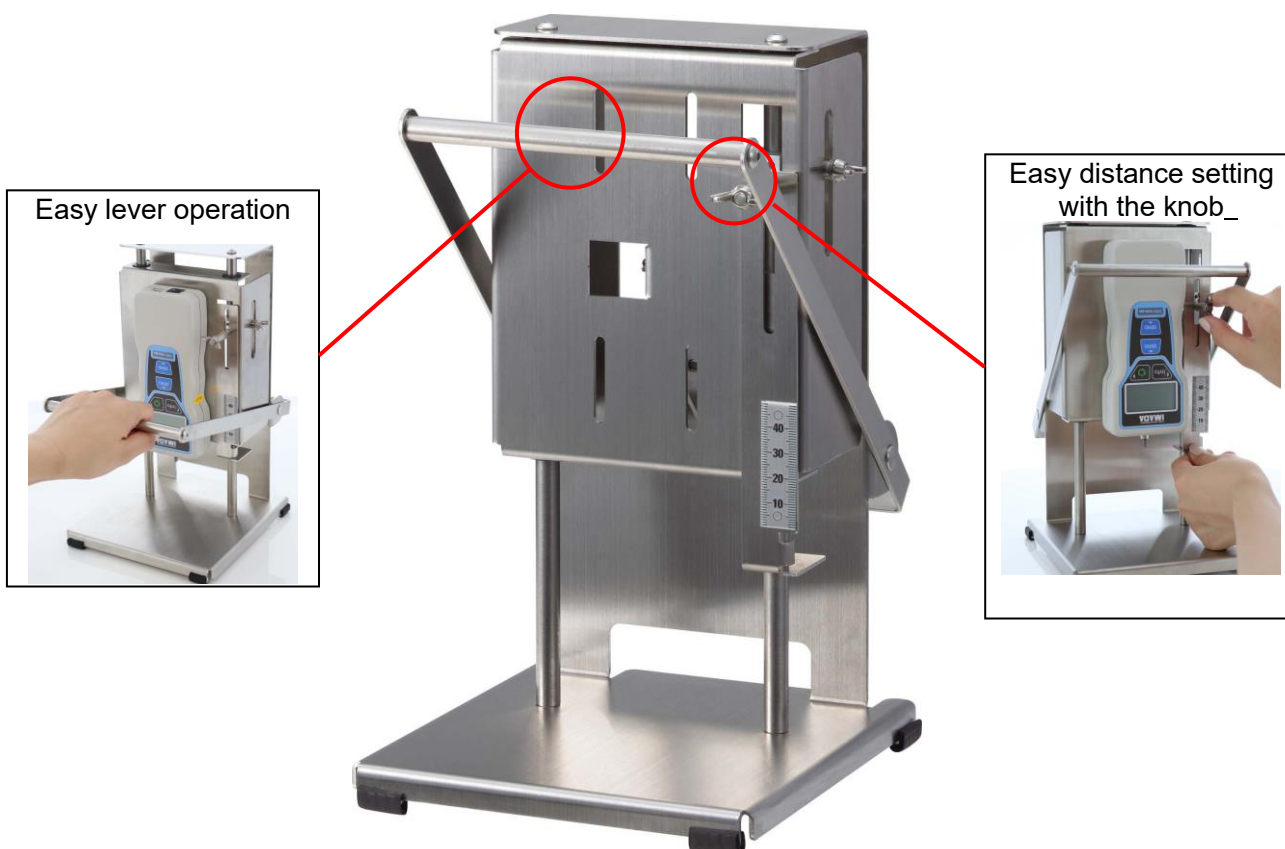


Simple Lever Test Stand FCA-50N

Feature 1: Easy compression test for a fixed distance
Feature 2: Budget lever model with high repeatability






[Test Examples]

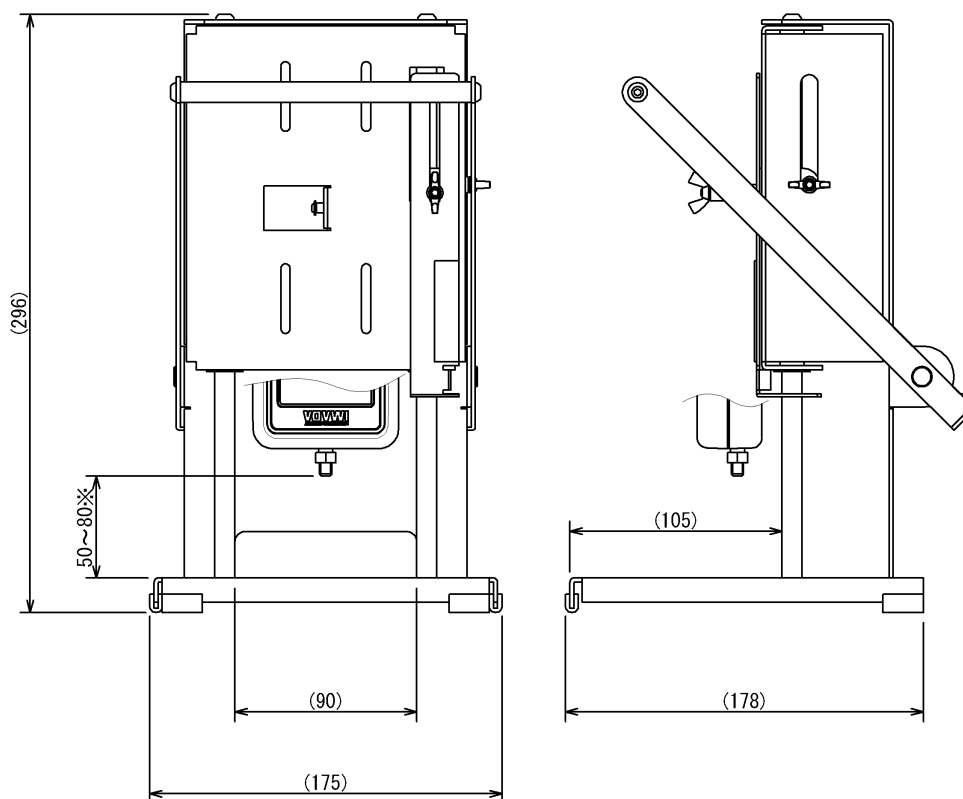
Samples	Spring	Cushioning	Plastic parts press-fitting
Image			

Specifications	
Model	FCA-50N
Capacity	50N
Stroke	0 to 45 mm (Adjustable with the limit knob)
Maximum Space	50 to 80 mm (*1)
Weight	Approx. 3kg
Dimensions	See [Dimensions]
Accessories	Instruction manual, mounting screws, wrench, warranty card

*1 The distance between the tip of the measuring shaft and the table - differs depending on the force gauge model and adjustable with the mounting position of the force gauge.

Mountable Force Gauges		
DST/DSV series	ZTS series	ZTA series
Simple digital force gauge	High repeatability with various functions	High repeatability with various functions and direct USB memory connection
		

[Dimensions]



Unit: mm

* The distance between the tip of the measuring shaft and the table differs depending on the force gauge model and adjustable with the mounting position of the force gauge.

[Cautions]

- Information in this document is subject to change without prior notice.
- This document is product descriptions and handling precautions, and do not guarantee various characteristics or safety.
- This product is designed for force measurement purpose only.
- Do not copy and use this content without authorization.
- A force gauge (sold separately) is required to use this product.
- Do not use this product in the environments including fierce temperature changes, high temperature, high humidity, near water, dusty place

SHRADDHA IMPEX
Authorized Distributor

Email: shraddhaimpex@gmail.com / sales@shraddhaimpex.net
Web: www.shraddhaimpex.net
Contact: +918356968200/ +919819530352/ +918591279918