

# Rubber Roller APR-97 Series for Peel Test

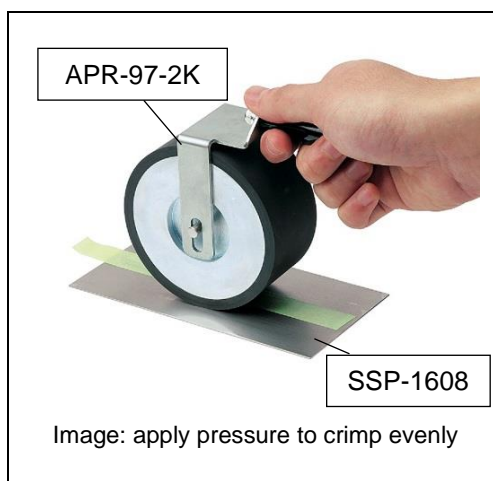
- Enables the user to stick samples with an even pressure for more accurate measurement of peeling force
- Complies with corresponding part of ISO and JIS. The weight and size can be customized for other standards such as ASTM. A motorized roller is also available as a customized option.



APR-97-2K






APR-97-1K



| Related Standard *complying with corresponding part only |  |
|--|--|
| APR-97-2K  | <ul style="list-style-type: none"> <li>• JIS Z 0237:2022 [Testing methods of pressure-sensitive adhesive tapes and sheets]</li> <li>• ISO 29862:2018 [Self adhesive tapes--Determination of peel adhesion properties]</li> <li>• ISO 29863:2018 [Self adhesive tapes--Measurement of static shear adhesion]</li> </ul> |
| APR-97-1K  | <ul style="list-style-type: none"> <li>• JIS Z 0237:2022 [Testing methods of pressure-sensitive adhesive tapes and sheets]</li> <li>• ISO 29862:2018 [Self adhesive tapes--Determination of peel adhesion properties]</li> </ul> <p>*Compliant only for samples with width 8.5mm to 17mm.</p>                          |

| Specifications  |                      |           |
|-----------------|----------------------|-----------|
| Model           | APR-97-2K            | APR-97-1K |
| Mass            | 2000g                | 1000g     |
| Roller Width    | 45mm                 |           |
| Roller Material | Rubber(Hardness:A80) |           |
| Dimensions      | Refer to dimensions  |           |

| Related Products  |   |   |
|---|---|---|
| 90 degree Peel Test Fixture<br><b>P90-200N</b>                                    | 180 degree Peel Test Fixture<br><b>P180-200N</b>                                  | High speed peel strength tester<br><b>IPTS-20N/50N</b>  |
| Testing fixture for products such as adhesive tapes                               | Testing fixture for products such as adhesive tapes.                              | Specialized peeling tester features high productivity with a wide speed range up to 1500mm/min. |
|  |  |              |

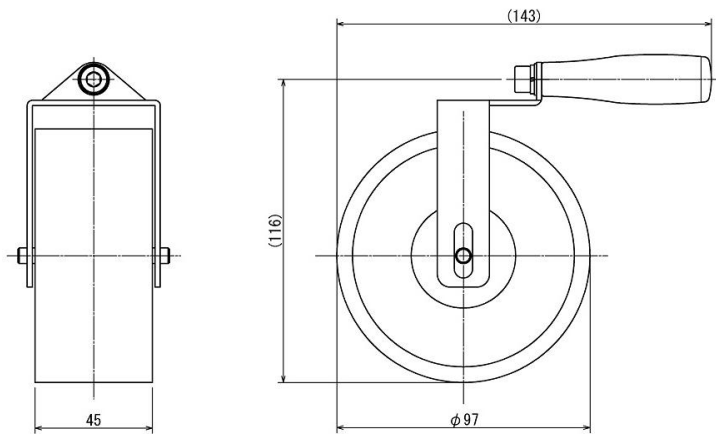
| Related Standards Compliant by Customization  |
|---|
| <p>Custom made product applicable with following standards can be ordered.</p> <p>*complying with corresponding part only</p> <p><b>-ASTM D3330/D3330M</b> [Standard Test Method for Peel Adhesion of Pressure-Sensitive Tape] (*1)</p> <p><b>-ASTM D6252/D6252M</b> [Standard Test Method for Peel Adhesion of Pressure-Sensitive Label Stocks at a 90°Angle] (*2)</p> <p><b>-Federal Test Method Standard 141D Method 6301.3</b> [PAINT, VARNISH, LACQUER AND RELATED MATERIALS: METHODS OF INSPECTION, SAMPLING AND TESTING] (*3)</p> <p>*1 Mass differs from standard product.</p> <p>*2 Mass and outer diameter differ from standard product.</p> <p>*3 Mass, outer diameter, width, and material hardness differ from standard product.</p> |

| Possible range of custom made |  |
|-------------------------------|--|
| <b>Mass(*1)</b>               | 100~5000g  |
| <b>Width</b>                  | 30~300mm   |
| <b>Material</b>               | Antistatic urethane rubber (Hardness: A80) (*2)    |
| <b>Motorized roller</b>       | Refer to the customized item pages on our website. |

\*1 Limited on the combination of roller mass and width. Please contact us for details.

\*2 Antistatic specification for preventing static electricity and so on.

**[Dimensions for APR-97 series]**



Unit:mm

**[Cautions]**

- Information in this document is subject to change without prior notice.
- This document is product descriptions and handling precautions, and do not guarantee various characteristics or safety.
- This product is designed for force measurement purpose only.
- Do not copy and use this content without authorization.

SHRADDHA IMPEX  
Authorized Distributor

Email: shraddhaimpex@gmail.com / sales@shraddhaimpex.net  
Web: www.shraddhaimpex.net  
Contact: +91 9819530352 / +91 8591279918