

90 Degree Peel Test Fixture

P90-200N/P90-200N-EZ/P90-200N-BB

- Ideal for 90 degree peel test of adhesives such as tapes
- Standard type P90-200N/ economy type P90-200N-EZ/
Breadboard type P90-200N-BB are available
- Designed for peel test complying with a part of IEC, ISO and ASTM Standard



P90-200N

- Complies with a part of IEC, ISO and ASTM Standard
- Standard type to keep peel angle to 90 degree



P90-200N-EZ

- Ideal for elastic samples
- Economy type with the sliding table



P90-200N-BB

- Enables fixing samples with a breadboard and clamps.
- Ideal for 90 degree peel test of adhesives sheets on board



P90-200N Test Image
(90 degree peel test of adhesives tape)






P90-200N-BB Test Image
(90 degree peel test of copper foil of circuit board)

Related Standards	
P90-200N/ P90-200N-BB	<ul style="list-style-type: none"> - IEC 249-1:1982 Base materials for printed circuits. Part 1: Test methods (Partly) *1 (Corresponding Japanese standard: JIS C6471:1995) (Partly) - IEC 326-2:1990 Printed boards. Part 2 Test methods (Partly) *1 (Corresponding Japanese standard: JIS C5016:1994) (Partly) *1
P90-200N	<ul style="list-style-type: none"> - ISO 29862:2007 Self adhesive tapes-Determination of peel adhesion properties (Partly) (Corresponding Japanese standard: JIS Z0237:2022) (Partly) - Japanese Pharmacopoeia 17th Edition:6.12 Methods of adhesion Testing. “3.1.2.2. 90 peel adhesive testing” (Partly) - ASTM D6862-11:2016 Standard Test Method for 90 Degree Peel Resistance of Adhesives (Partly) - ASTM D3330:2010 Standard Test Method for Peel Adhesion of Pressure-Sensitive Tape (Partly)
P90-200N-BB	- ISO 4525:2003 Metallic coatings-Electroplated coatings of nickel plus chromium on plastics materials (Partly) (Corresponding Japanese standard: JIS H 8630:2006) (Partly)
Samples	<ul style="list-style-type: none"> - Sticker, adhesive tape, adhesive sheet, adhesive plaster, magnetic tape, foil laminated film *2 - Printed circuit board, screen protector film for panel, copper foil of circuit board, sheet for glass, thick coating film, adhesive sheet on board

*1 We recommend 90 degree peel test for these standards. 180 degree peel test is acceptable if 90 degree peel is impossible.

*2 P90-200N and P90-200N-EZ are suitable for these samples.


How to adhere test sample for P90-200N		
Take off the stainless panel and adhere test sample on it.	Fix the stainless panel by screws.	Grip the sample to get ready to start the peel test.
		

Specifications			
Model	P90-200N	P90-200N-EZ	P90-200N-BB
Peel length (Max)	155mm		See [Dimensions]
Sample Width (Max)	80mm		See [Dimensions]
Thickness of board (Max) *1	-		8mm
Capacity *2	Up to 200N	0.4 to 200N	Up to 200N
Dimensions	See [Dimensions]		
Weight	Approx. 2kg		
Compatible test stand *3	MX-500N, MX2-500N, MX-1000N, MX2-1000N, EMX-500N, EMX-1000N		

*1 Only for P90-200N-BB. Four clampers and four knobs are included.

*2 P90-200N-EZ is not suitable when peel force is expected to change suddenly or to be below 0.4N.



*3 Contact us for compatibility of other models of test stands.

Examples of Product Configuration P90-200N		
<p>Example 1 Code: 1P2003A Peel test up to 200N according to a part of IEC 249-1:1982, IEC 326-2:1990, ISO 29862:2007, ASTM D6862-11:2016, ASTM D3330:2010, JIS Z0237:2022 JIS C5016:1994, JIS C6471:1995 and Japanese Pharmacopoeia. The average value is calculated by the graphing software. *1</p> <p>Digital Force Gauge: ZTS-200N Motorized Test Stand: MX2-500N *2 Optional Attachment: P90-200N Optional Attachment: FC-20 *3 Optional Cable: CB-528 Optional Software: Force Recorder Standard</p>		
Examples of Product Configuration P90-200N-EZ		
<p>Example 1 Code: 1P2004A Simple peel test up to 200N specially for elastic samples.</p> <p>Digital Force Gauge: DST-200N Motorized Test Stand: MX-500N *2 Optional Attachment: P90-200N-EZ Optional Attachment: FC-20 *3</p>		
Examples of Product Configuration P90-200N-BB		
<p>Example 1 Code: 1P2006A Peel test up to 200N according to a part of IEC 249-1:1982, IEC 326-2:1990, ISO 4525:2003, JIS C5016:1994, JIS C6471:1995 and JIS H 8630:2006. The average value is calculated by the graphing software. *1 Ideal for peel test of fixing samples with a breadboard and clamps such as thick coating film and adhesive sheet on board.</p> <p>Digital Force Gauge: ZTS-200N Motorized Test Stand: MX2-500N *2 Optional Attachment: P90-200N-BB Optional Attachment: FC-21U *3 Optional Cable: CB-528 Optional Software: Force Recorder Standard</p>		

P90-200N Example 1 Image

* Refer to the specification of each product for details.
 * Product configuration varies depending on the shape and characteristic of the sample, and measurement conditions.
 * The recommended capacity of force gauge varies depending on the expected force to be loaded.
 *1 We recommend 90 degree peel test for these standards. 180 degree peel test is acceptable if 90 degree peel is impossible.
 *2 To ensure enough peel length, long stroke model of motorized test stand is recommended.
 The sample cannot be peeled fully if its elongation rate is over 210%.
 *3 Wide width model of film grip is necessary if the sample width is over 20mm.

[Clamper and Knob] The set of clamper and knob is available for replacement. *

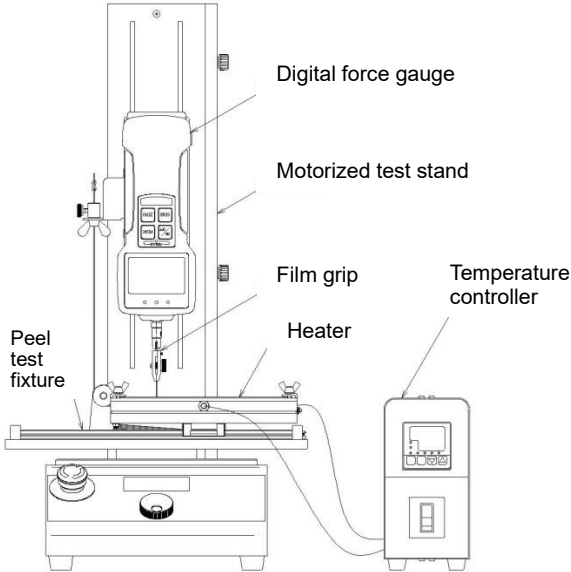
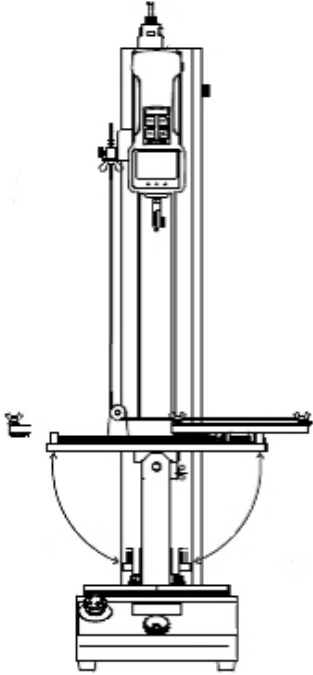
Model	Included Parts	Images	
SCK-PRT	Sample Clamper and Knob	 SCK-PRT	 Installation image

* Only for **P90-200N-BB**.

* This set of parts is sold in two pairs per order, not sold individually.

Related Products		
Spare Stainless Panel SSP-1608	Rubber Roller for Peel Test APR-97	Film Cutter FSC-1525
Needless to clean the panel after each test thus enhance efficiency when testing multiple samples.	It helps to stick samples on the panel with certain pressure, which ensures accurate test result.	It is designed to cut paper or film in constant-width.
		
	Standard: JIS Z0237:2022 *1	Standard JIS Z1707:1997*1 Width 15mm JIS Z0238:1998*1
		Standard Width 1inch ATSM F88*1
180 Degree Peel Test Fixture P180-200N/P180-200N-BB	45 Degree Peel Test Fixture P45-50N	Film Grip FC-21/20/40/21U/41U/21UQ
Fixture for 180-degree peel test of adhesive tape and the like.	It is designed for peel test of cup film or paper lid to evaluate the open-easiness for food and medical packaging industry.	Ideal for gripping thin samples such as film. A wide range of product models are available to fit your needs.
		
Fixture for Film Sticking Test TKS-250N/TKS-20N	180-degree High Speed Peeling Tester IPTS-20N/50N	
Designed for sticking test of thin samples such as film.	Specialized peeling tester features high operability with a wide speed range up to 1500mm/min.	
		

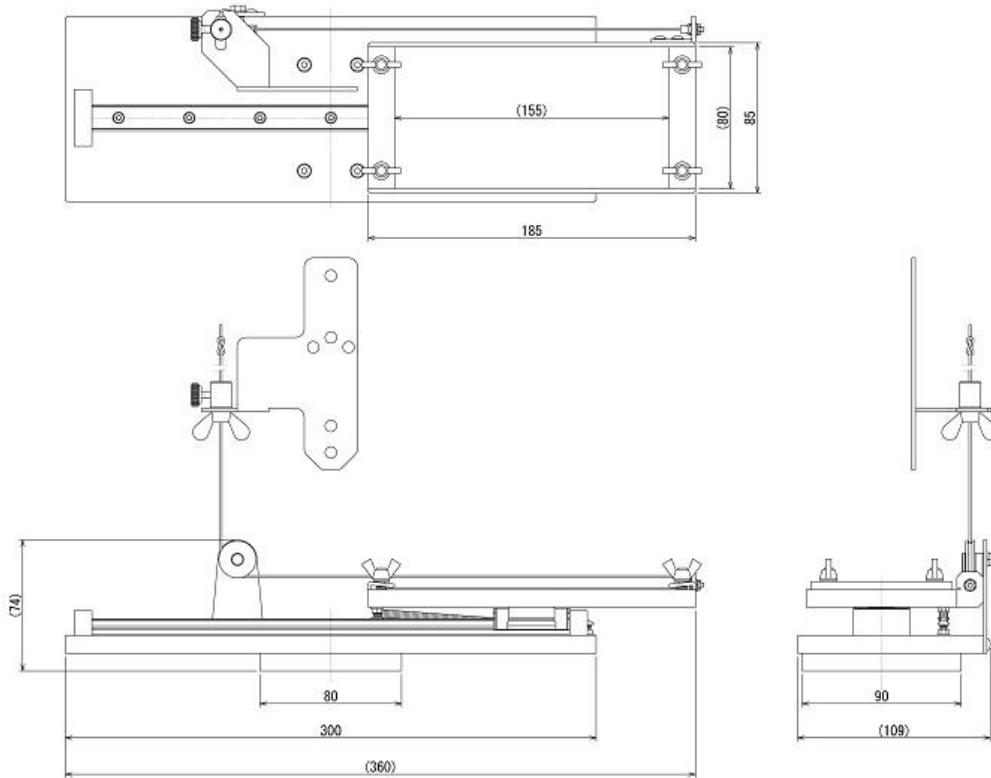
*1 It complies with corresponding part only.

Customized Application	
1. Adjustable temperature	2. Adjustable peel angle
	
<p>A heater is integrated in the table and enables you to adjust temperatures from room temperature to 300 degree by the external controller.</p>	<p>Enables you to adjust the peel angle freely from 0 to 180 degree.</p>
3. According to JIS standard	
<ul style="list-style-type: none"> - ISO /IEC 10373-1:2006 Identification cards–Test methods–Part 1: General characteristics (IDT) (Partly) (Corresponding Japanese standard: JIS X6305-1:2010) - IEC 249-1:1982 Base materials for printed circuits. Part 1: Test methods (Partly) (Corresponding Japanese standard: JIS C6481:1996) 	

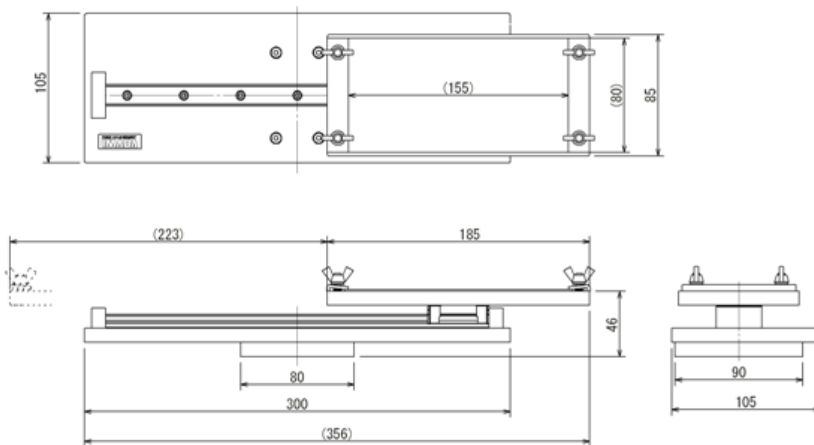
*Contact us for details.

[Dimensions]

P90-200N



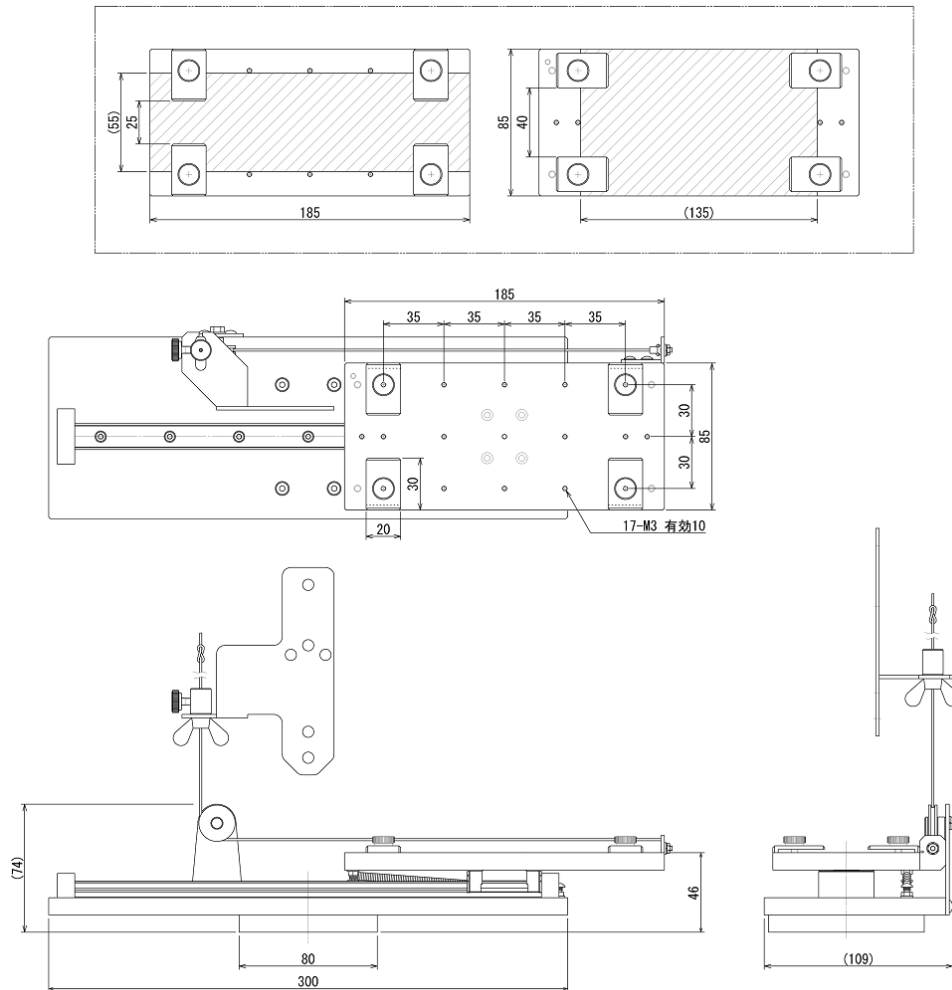
P90-200-EZ



Unit: mm

[Dimensions]

P90-200N-BB



Unit: mm

[Cautions]

- Information in this document is subject to change without prior notice.
- This document is product descriptions and handling precautions, and do not guarantee various characteristics or safety.
- This product is designed for force measurement purpose only.
- Do not copy and use this content without authorization.
- A force gauge (sold separately) is required to use this product.
- Some samples may not be suitable to measure with this product.

SHRADDHA IMPEX
Authorized Distributor

Email: shraddhaimpex@gmail.com / sales@shraddhaimpex.net
Web: www.shraddhaimpex.net
Contact: +91 9819530352 / +91 8591279918