

Probes for Food Texture Analyzer

# For Compression tests 1

## Simple shaped series

### (Disk, Cylindrical, Conical and Sphere probes)

Elasticity or stiffness can be measured by compressing or breaking with the simple shaped series probes.  
 Viscosity of semi-solid samples can be measured as well with them.

#### Disk probe (FR-HA series)

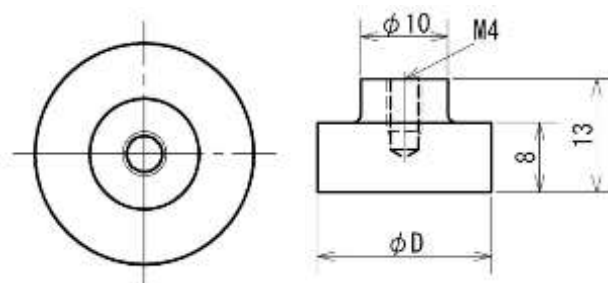
	<b>Feature</b>
	Disk probe can compress wide area of a sample firmly, and measure viscosity of semi-solid sample as well.
	<b>Sample example</b>
	Elasticity of sponge cake, fruits and hamburger steak. Viscosity of cheese, custard cream, and dressing
	<b>Japanese Standard</b>
Ø20 complies with a part of 「Food for person having difficulty in swallowing」 (only for FR-HA-20J) and 「Universal Design Food」 .	

#### [Measurement examples]

Elasticity of sponge cake	Viscosity of soup

1. Container holder table (FR-BG-60)

#### [Dimensions]




\*unit: mm

\*We will provide made-to-order sizes of all probes and tables if required.

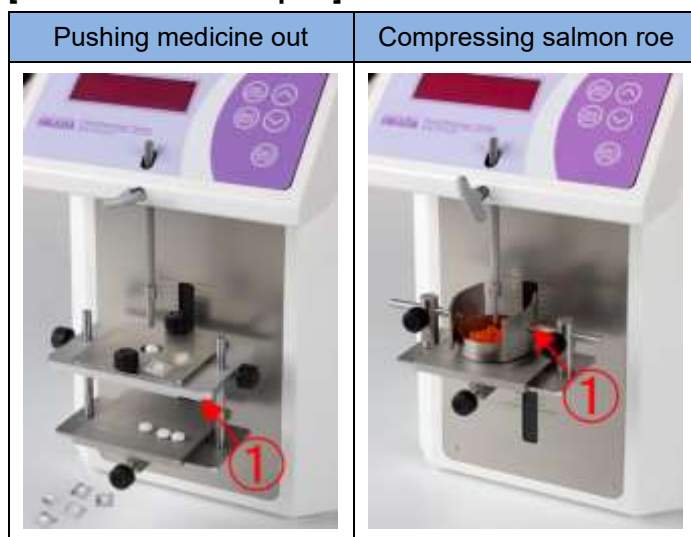
**[Specifications]**

Model	FR-HA-20J	FR-HA-20S	FR-HA-30J	FR-HA-50J
Outside diameter of touch surface $\varnothing$ D	$\varnothing 20$		$\varnothing 30$	$\varnothing 50$
Material	Polyacetal	Stainless steel	Polyacetal	
Weight	4g	23g	9g	23g
Capacity	50N	100N	50N	

### Cylindrical probe (FR-EC series)

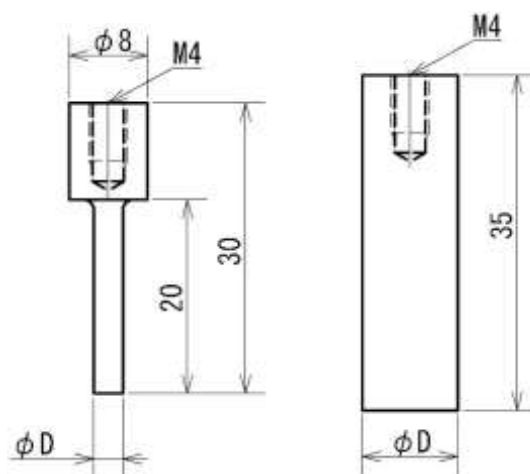
	<b>Feature</b>
	Cylindrical probe can compress a small area of a sample, so it is fit to measure force to push out or crush a sample.
	<b>Sample example</b>
	Stiffness of jelly, tofu, rice and beans
	<b>Japanese Standard</b>
It meets JIS K6503 [Glue and Gelatin (Ø12.7)]	

#### [Measurement examples]



1. Container holder table (FR-BG-60)

#### [Dimensions]



The outside figure A

The outside figure B

\*unit: mm

\*We will provide made-to-order sizes of all probes and tables if required.

#### [Specifications]

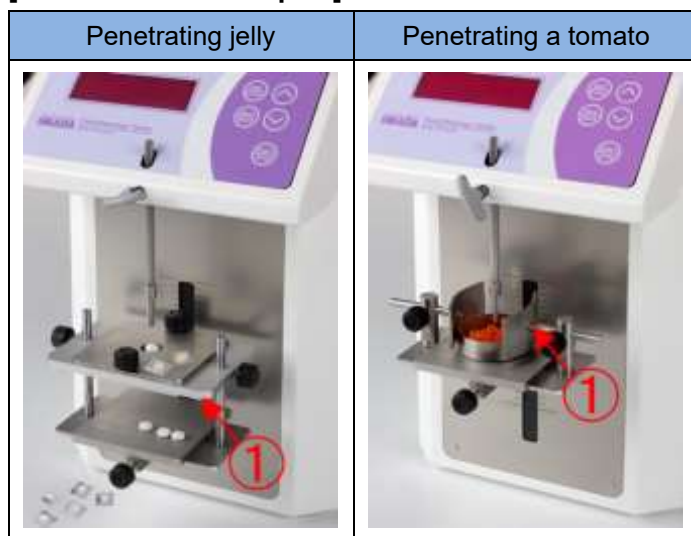
Model	FR-EC-3J	FR-EC-3S	FR-EC-5J	FR-EC-5S
Outside diameters of touch surface	Ø3		Ø5	
Material	Polyacetal	Stainless steel	Polyacetal	Stainless steel
Weight	2g	11g	2g	13g
Capacity	50N	100N	50N	100N
The outside figure	A			

Model	FR-EC-8J	FR-EC-10J	FR-EC-12.7J	FR-EC-15J
Outside diameters of touch surface	Ø8	Ø10	Ø12.7	Ø15
Material	Polyacetal			
Weight	4g		6g	9g
Capacity	50N			
The outside figure	B			

### Conical probe (FR-ES series)

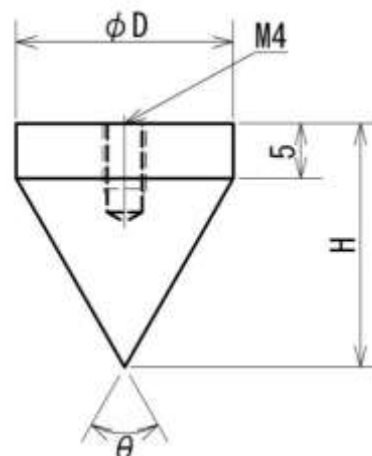
	<b>Feature</b>
	Conical probe is fit to measure how easy to penetrate a sample because of its sharp point.
	<b>Sample example</b>
	Vegetables or fruits skin, butter, yogurt, ice cream, hair conditioner and so on

#### [Measurement examples]



1. Anti-scattering sheet (FR-DP-80)

#### [Dimension]



\*unit: mm  
 \*We will provide made-to-order sizes of all probes and tables if required.

#### [Specifications]

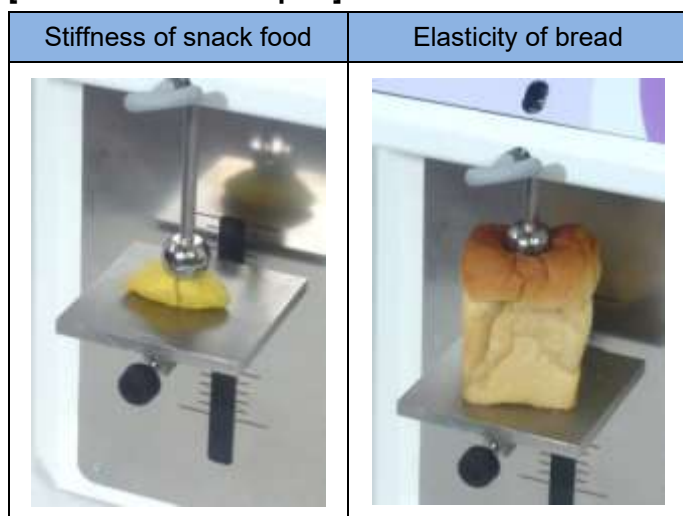
Model	FR-ES45-20J	FR-ES45-30J
The angle of the point $\theta$	45	
Outside diameter $\phi D$	$\phi 20$	$\phi 30$
Height H	(29.1)	(41.2)
Material	Polyacetal	
Weight	4g	13g
Capacity	50N	

Model	FR-ES60-20J		FR-ES60-20S
The angle of the point $\theta$	60		
Outside diameter $\phi D$	$\phi 20$		$\phi 30$
Height H	(22.5)		(31)
Material	Polyacetal	Stainless steel	Polyacetal
Weight	3g	19g	10g
Capacity	50N	100N	50N

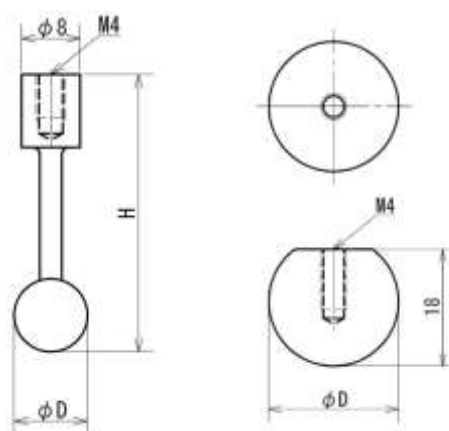
### Sphere probe (FR-SR series)

	<b>Feature</b>
	With Sphere probe, a sample can be compressed and transformed.
	<b>Sample example</b>
	Dough, snack food, fruits, and cheese
	<b>Japanese Standard</b>
Ø7 is compliant with JAS [Standard of elasticity for special packaging steamed fish paste]	

#### [Measurement examples]



#### [Dimensions]



The outside figure A    The outside figure B

\*unit: mm

\*We will provide made-to-order sizes of all probes and tables if required.

#### [Specifications]

Model	FR-SR-5S	FR-SR-7S	FR-SR-10S	FR-SR-20S
The angle of the point ØD	Ø5	Ø7	Ø10	Ø20
Height H	(35)	(35)	(38)	(18)
Material	Stainless steel			
Weight	5g	6g	9g	32g
Capacity	100N			
The outside figures	A			B

\*unit: mm

\*We will provide made-to-order sizes of all probes and tables if required.

**[Cautions]**

- Information in this document is subject to change without prior notice.
- This document is product descriptions and handling precautions, and do not guarantee various characteristics or safety.
- This product is designed for force measurement purpose only.
- Do not copy and use this content without authorization.
- Some samples may not be suitable to measure with this product.

SHRADDHA IMPEX  
Authorized Distributor

Email: [shraddhaimpex@gmail.com](mailto:shraddhaimpex@gmail.com) / [sales@shraddhaimpex.net](mailto:sales@shraddhaimpex.net)  
Web: [www.shraddhaimpex.net](http://www.shraddhaimpex.net)  
Contact: +91 9819530352 / +91 8591279918