

## Wire Terminal Clamp Jig CH-500N

- Designed to secure wire/cable terminal easily and quickly
- For engaging it, you only have to turn its knob to open the jaws and hook it between them



Test image  
(Crimp pull test)

### How to install test sample

Turn the knob to open the jaws.



Hook a terminal.



Specifications	
Model	<b>CH-500N</b>
Capacity	500N
Clamp method	Hook clamp*
Opening width	6mm
Size	See the Dimensions
Weight *1	Approx. 210g
Mounting screws	M6

\* It is designed to hook a terminal, in other words, it does NOT grip terminal.

\* It is NOT suitable for narrow terminals such as rod terminals.

\*1 Weight of the attachment is also applied as a load on the force gauge. Consider it when selecting the capacity of a force gauge.

Examples of Product Configuration	
<p><b>Example 1 (*1) Code: 1C2001A</b></p> <ul style="list-style-type: none"> <li>- Crimp pull test up to 500N</li> <li>- Automatically pulls a crimp terminal until it breaks and measure the strength</li> <li>- Versatile to fit a wide range of samples</li> <li>- Easy sample setting due to horizontal design</li> </ul> <p>Digital force gauge: ZTS-500N Motorized test stand: MH2-500N Optional attachment: CH-500N Optional attachment: CW-500N Optional cable: CB-528</p>	






\*Refer to the specification of each product for details.

\*Product configuration varies depending on the shape and characteristic of the sample, and measurement conditions.

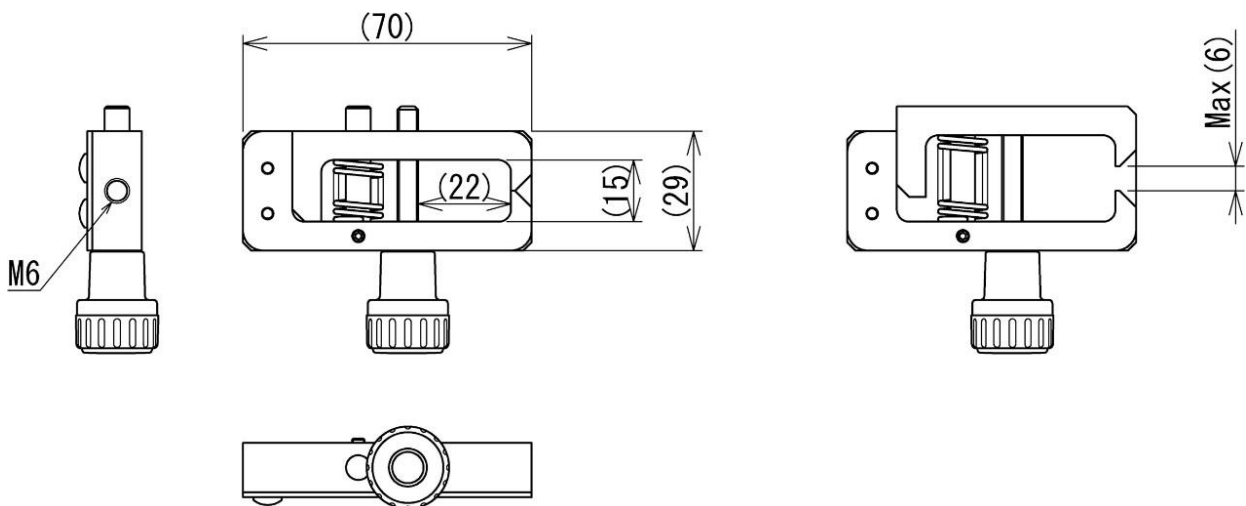
\*The recommended capacity of force gauge varies depending on the expected force to be loaded.

Mountable Force Gauges		
<p>Digital force gauge <b>DST/DSV series</b></p>	<p>Digital force gauge <b>ZTS/ZTA series</b></p>	<p>Mechanical force gauge <b>FB/PS/PSM series</b></p>
<ul style="list-style-type: none"> <li>- Affordable model</li> <li>- Easy data management on PC</li> </ul>	<ul style="list-style-type: none"> <li>- High sampling speed</li> <li>- High functionality</li> <li>- High precision</li> </ul>	<ul style="list-style-type: none"> <li>- Easy Handling</li> </ul>

\*Select suitable force gauge to correspond with the mounting screws of attachment.

Related Products		
<b>Wire clamp jig CW-500N</b>	<b>High capacity wire clamp jig CW-5000N</b>	<b>Loop Tensile test fixture LOP-1000N</b>
Wedge type. It is designed to secure a sample very easily and quickly.	It secures a wire in capacity up to 5000N.	It is designed for tensile test of PP band in capacity up to 1000N.
		
<b>Automatic crimp tester ACT-1000N</b>	<b>Test stand for crimp pull test LH-500N</b>	
It tests tensile strength of a wire crimp terminal automatically. A supplied software enables data management and test condition setting very easily.	You can easily handle it due to simple lever operation. It comes with optional attachments.	
		

**[Dimensions]**



Unit: mm

**[Cautions]**

- Specifications are subject to change without prior notice.
- A force gauge (sold separately) is required to use this product.
- This product is designed for force testing only. Do not use it for any other purposes.
- Some samples may not be suitable to grip with this product.
- Do not copy and use this content without authorization.

SHRADDHA IMPEX  
Authorized Distributor

Email: [shraddhaimpex@gmail.com](mailto:shraddhaimpex@gmail.com) / [sales@shraddhaimpex.net](mailto:sales@shraddhaimpex.net)  
Web: [www.shraddhaimpex.net](http://www.shraddhaimpex.net)  
Contact: +91 9819530352 / +91 8591279918