

# T-Slot Table TS-5000N

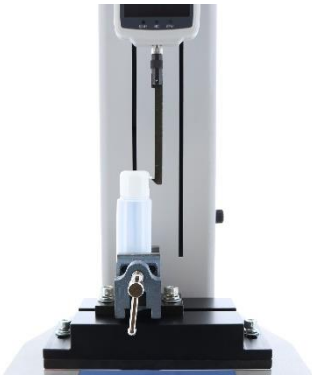


Easy attachments setting.  
Easy to adjust the positions of vise grips and attachments.  
Ideal for replacing several attachments.



T-Slot Table: TS-5000N

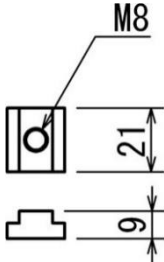
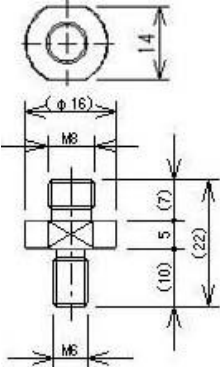
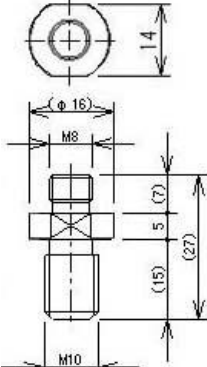



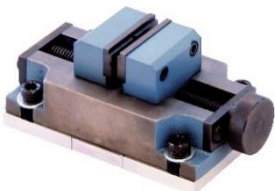

Setting image

Testing image		
Enables to measure by shifting the axis	Ideal for replacing several attachments	Easy to center samples
		

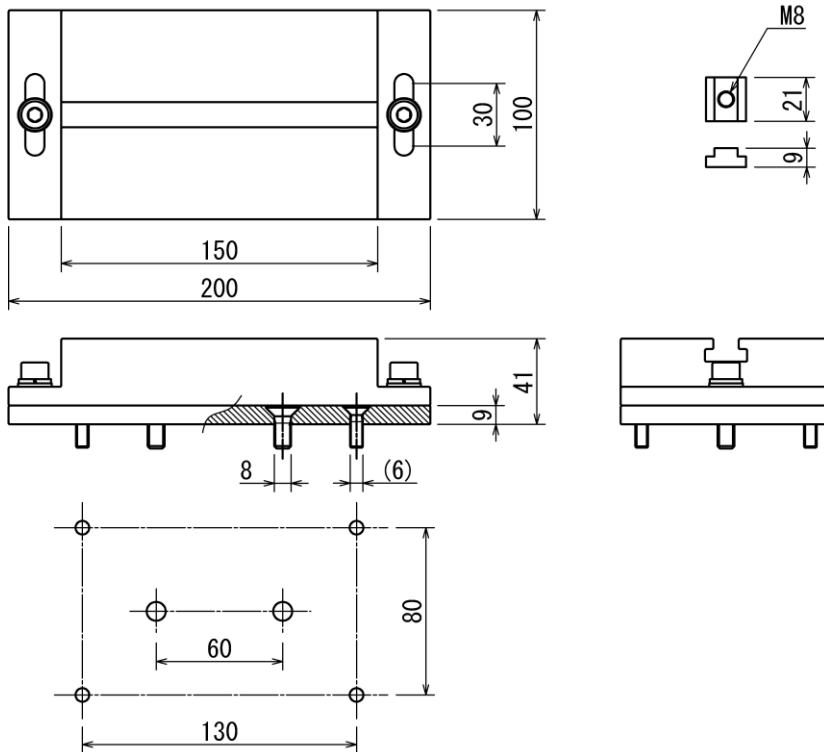
Specifications	
Model	TS-5000N
Capacity	5000N (Mounting vise grip etc with two nuts) 2500N (Fixing a jig with one nut)
X Stroke	±60mm (With one T nut) ±30mm (Installing vise grip GT-2000N)
Y Stroke	±15mm
T Nut Screw Size	M8
Distance of T Nuts	Max.125mm
Dimensions	See [Dimensions]
Weight	Approx.5,300g
Accessory	T Nut (2 pcs), Mounting bolts (2 pcs)
Fixable Test Stand (*)	Vertical Motorized Model MX series, MX2 series, EMX-1000N
	Vertical Manual Model SVL-1000N, SVH-1000N, HV series

\* The required stroke varies depending on the attachment or jig to be attached.

Related Accessories		
Optional T nut <b>TS-ST5</b>	Screw Adapter for M6 attachment <b>CA-8T6</b>	Screw Adapter for M6 attachment <b>CA-8T10</b>
T nut for replacement	Adapter for mounting of M6 attachments to T nut. (Capacity: 1000N)	Adapter for mounting of M10 attachments to T nut. (Capacity: 2500N)
		

Related Products		
Vise Grip <b>GT-30/2000N</b>	Self-centering Vise Grip <b>GTW-50R/50L</b>	Flat Chuck <b>GC-1100/GC-1200/GC-5000</b>
It is used to grip and fix samples, being mounted on a vertical test stand. Available in capacity from 250N up to 2000N.	Self-centering vise. Available in capacity from 500N to 1000N.	These grips can hold various samples which have different thickness.
		

**[Dimensions]**



Unit: mm

**[Cautions]**

- Information in this document is subject to change without prior notice.
- This document is product descriptions and handling precautions, and do not guarantee various characteristics or safety.
- This product is designed for force measurement purpose only.
- Do not copy and use this content without authorization.
- A force gauge (sold separately) is required to use this product.
- Some samples may not be suitable to measure with this product.

SHRADDHA IMPEX  
Authorized Distributor

Email: [shraddhaimpex@gmail.com](mailto:shraddhaimpex@gmail.com) / [sales@shraddhaimpex.net](mailto:sales@shraddhaimpex.net)  
Web: [www.shraddhaimpex.net](http://www.shraddhaimpex.net)  
Contact: +91 9819530352 / +91 8591279918