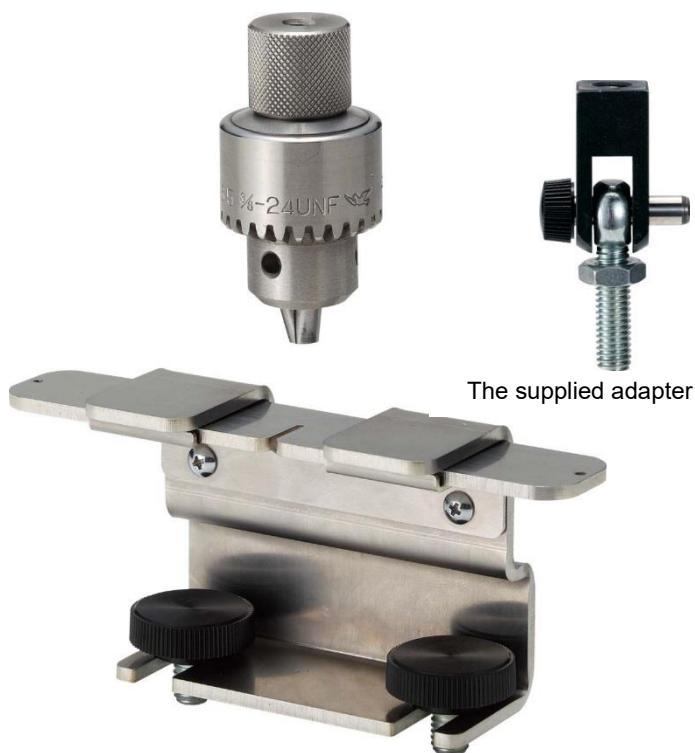


# Attachment for Needle Pull Out Test MED-NPT-200N

Designed to evaluate the force of pulling out the needle apart from the hub  
Enables to test the needles of diameter from 0.3 to 2.0mm  
Complies with a part of JIS and ISO Standards



## Related Standard

- **JIS T 3209:2011** Sterile injection needles, **JIS T 3220:2011** Sterile blood collection needles, **JIS T 3221:2011** single-use needle for infusion port, **JIS T 3222:2011** Sterile winged intravenous devices, **JIS T 3223:2016** Sterile, single-use intravascular catheters over-needle peripheral catheters, **JIS T 3228:2018** Biopsy needles for single use, **JIS T 3229:2011** Single use puncture needle for internal organs and abdominal cavity (Partly)  
- **ISO 7864:2016** Sterile hypodermic needles for single use - Requirements and test methods, **ISO 10555-5:2013** Intravascular catheters - Sterile and single-use catheters - Part 5: Over-needle peripheral catheters, **ISO 11608-2:2012** Needle-based injection systems for medical use - Requirements and test methods - Part 2: Needles (Partly)

How to install test sample		
Fix the needle in the chuck	Hook the needle hub into the slit	Insert the pin to fix the upper chuck to the adapter

Specifications	
Model	MED-NPT-200N
Capacity	200N
Measurable needle diameter	0.3 to 2.0mm
Measurable needle length	Longer than 10mm
Dimensions	See [Dimensions]
Weight *1	Approx. 210g (when mounting the upper part to the force gauge)
Mounting screw	M6
Accessories	Attachment adapter EJ6-1000N




\*1Weight of the attachment is also applied as a load on the force gauge. Consider it when selecting the capacity of a force gauge.

Examples of Product Configuration	
<p><b>Example 1</b>                      <b>Code: 1N2001A</b>  <b>JIS T 3209:2011</b> Sterile injection needles (Partly)                      For pull-out strength test up to 200N.</p> <p>Digital Force Gauge: ZTS-500N                      Motorized Test Stand: MX2-500N                      Optional Attachment: MED-NPT-200N                      Optional Cable: CB-528                      Optional Software: Force Recorder Standard</p>	

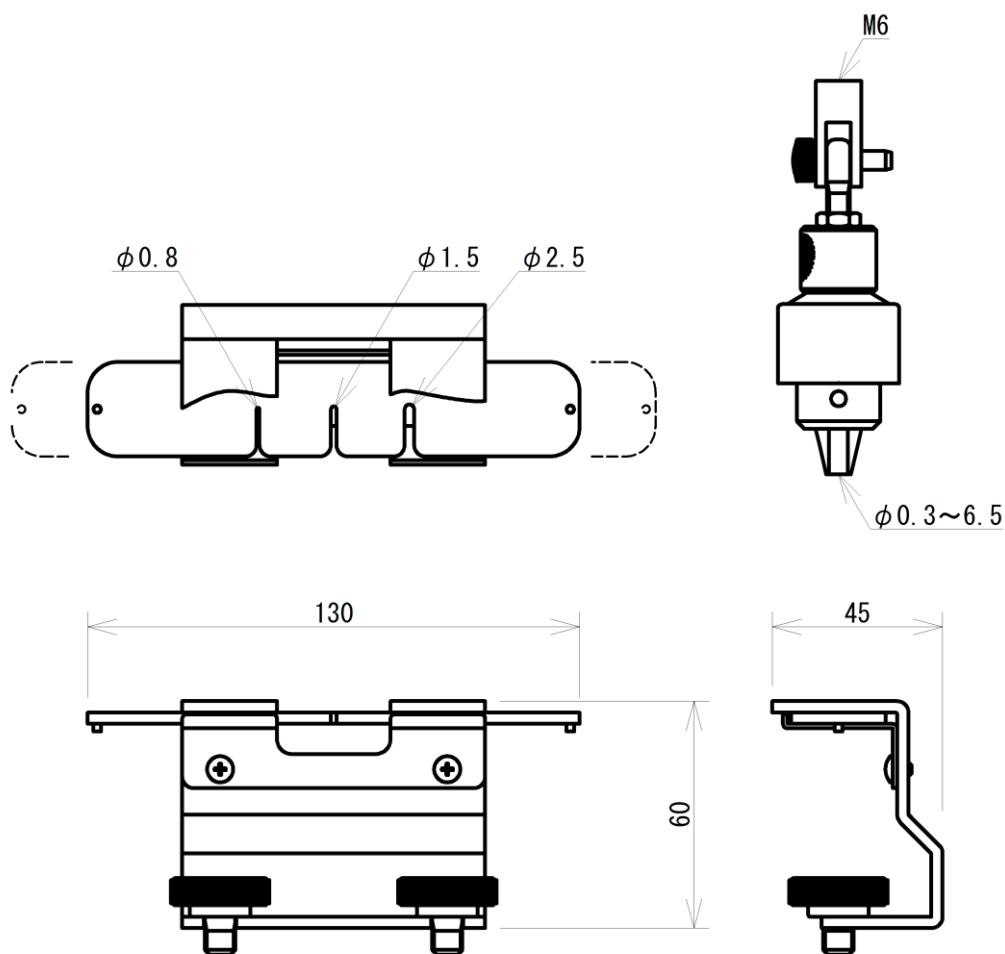
\* Refer to the specification of each product for details.

\* Product configuration varies depending on the shape and characteristic of the sample, and measurement conditions.

\* The recommended capacity of force gauge varies depending on the expected force to be loaded.

Related Products		
Syringe compression fixture <b>MED-SCT-500N</b>	Pin Grip <b>CP-150N</b>	Knurled Cam Grip <b>GP-15</b>
Designed to measure compression force of syringe plunger partly in accordance with ISO Standard.	It enables to grip thin wire shaped samples.	Designed to grip extensible samples such as plastic tube.
		

**[Dimensions]**



Unit: mm

### [Cautions]

- Information in this document is subject to change without prior notice.
- This document is product descriptions and handling precautions, and do not guarantee various characteristics or safety.
- This product is designed for force measurement purpose only.
- Do not copy and use this content without authorization.
- A force gauge (sold separately) is required to use this product.
- Some samples may not be suitable to measure with this product.

#### **IMADA CO., LTD**

99 Jinnoshinden-cho aza Kanowari Toyohashi  
Japan 441-8077  
Tel: +81-(0)532-33-3288  
Fax: +81-(0)532-33-3866  
E-mail: [info@forcegauge.net](mailto:info@forcegauge.net)  
Website: <https://www.forcegauge.net/en/>



Visit our website for more information on a wide range of product specifications, measurement applications and videos.